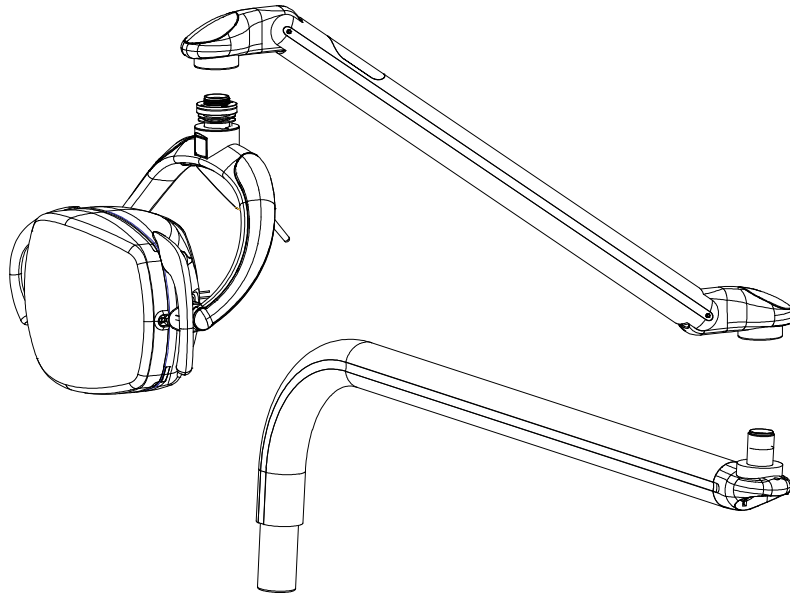
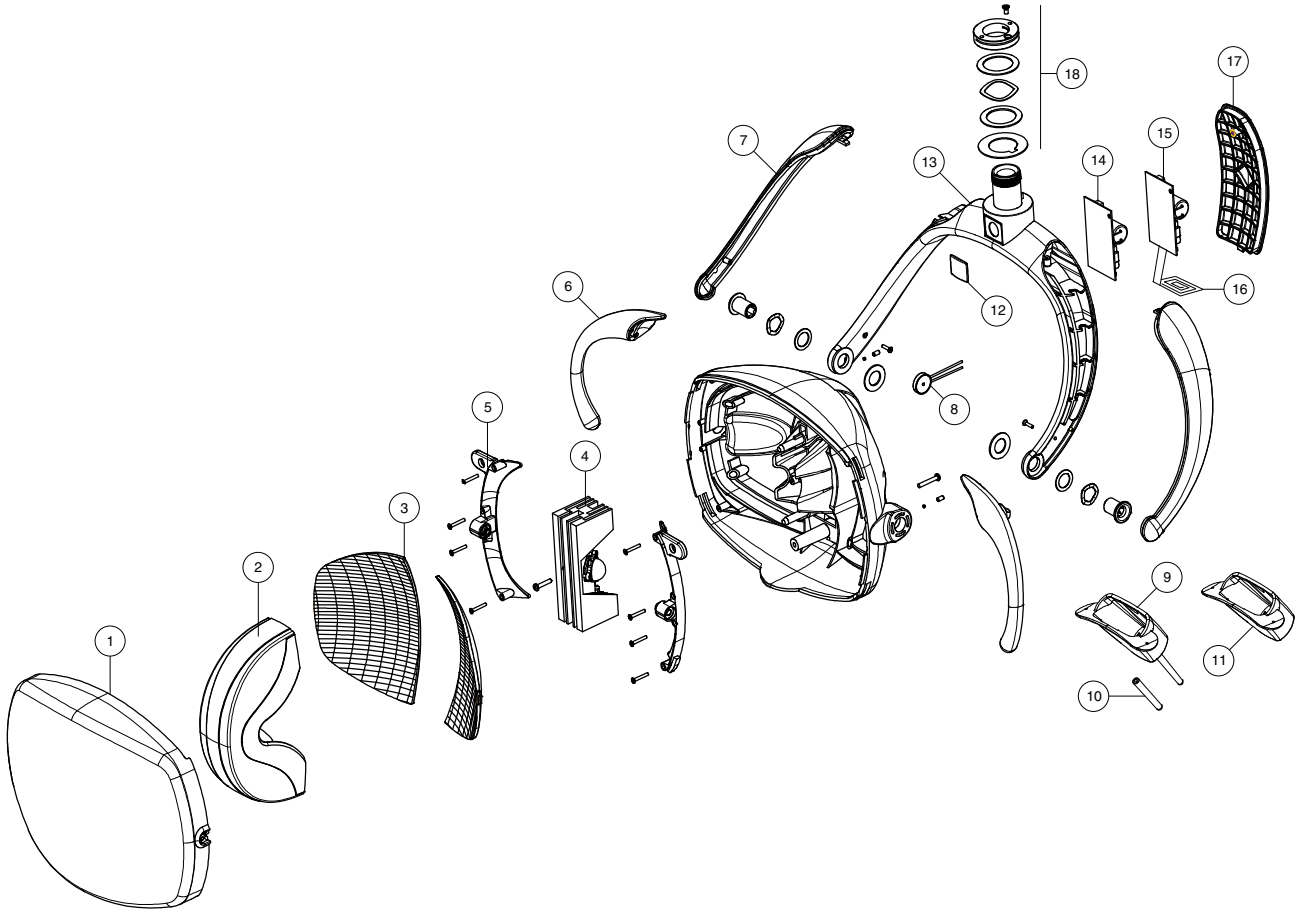


Radiant LED Operatory Light

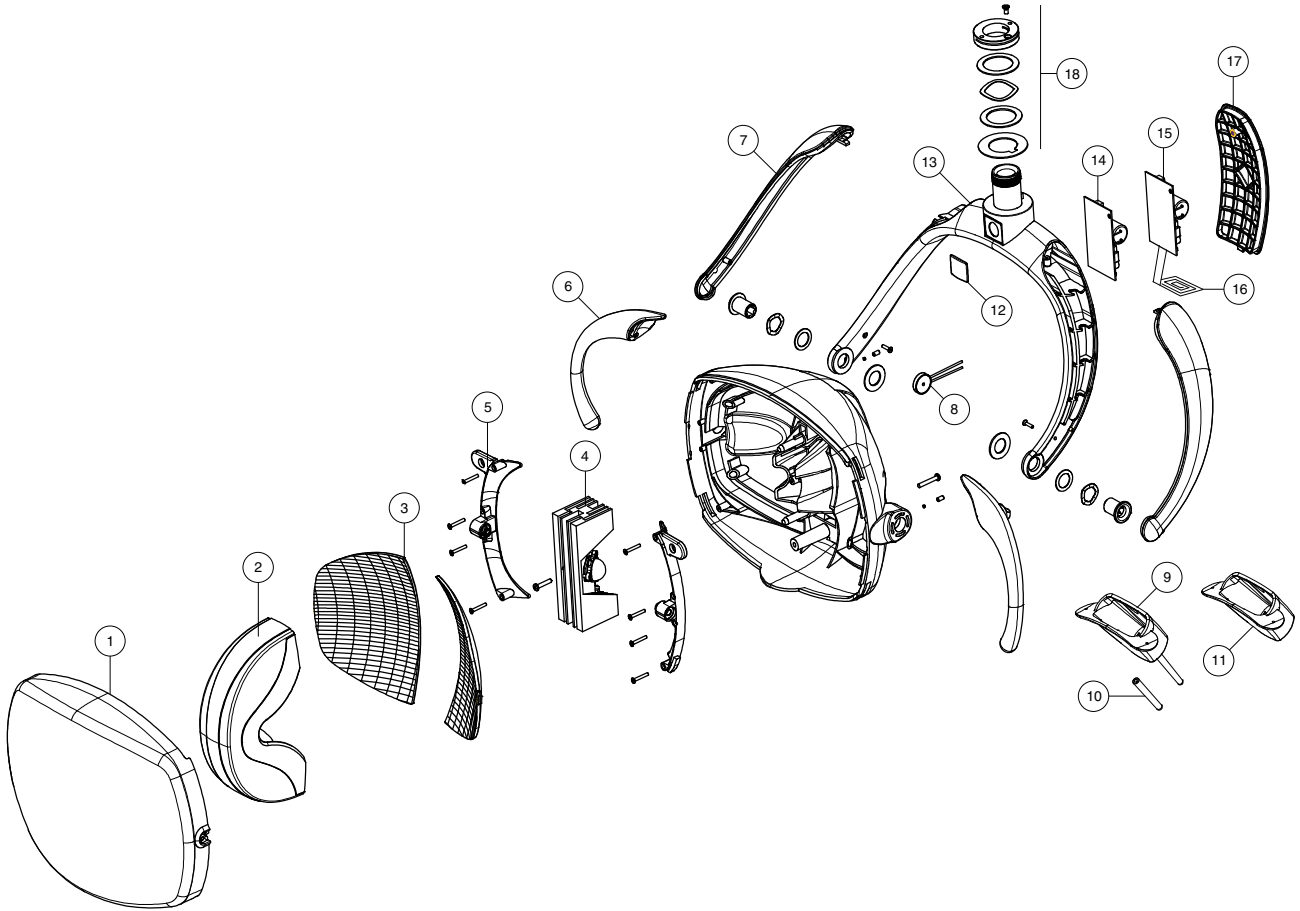
Sheet	Page
Head	1 and 2
Central arm	3
Rear arm	4



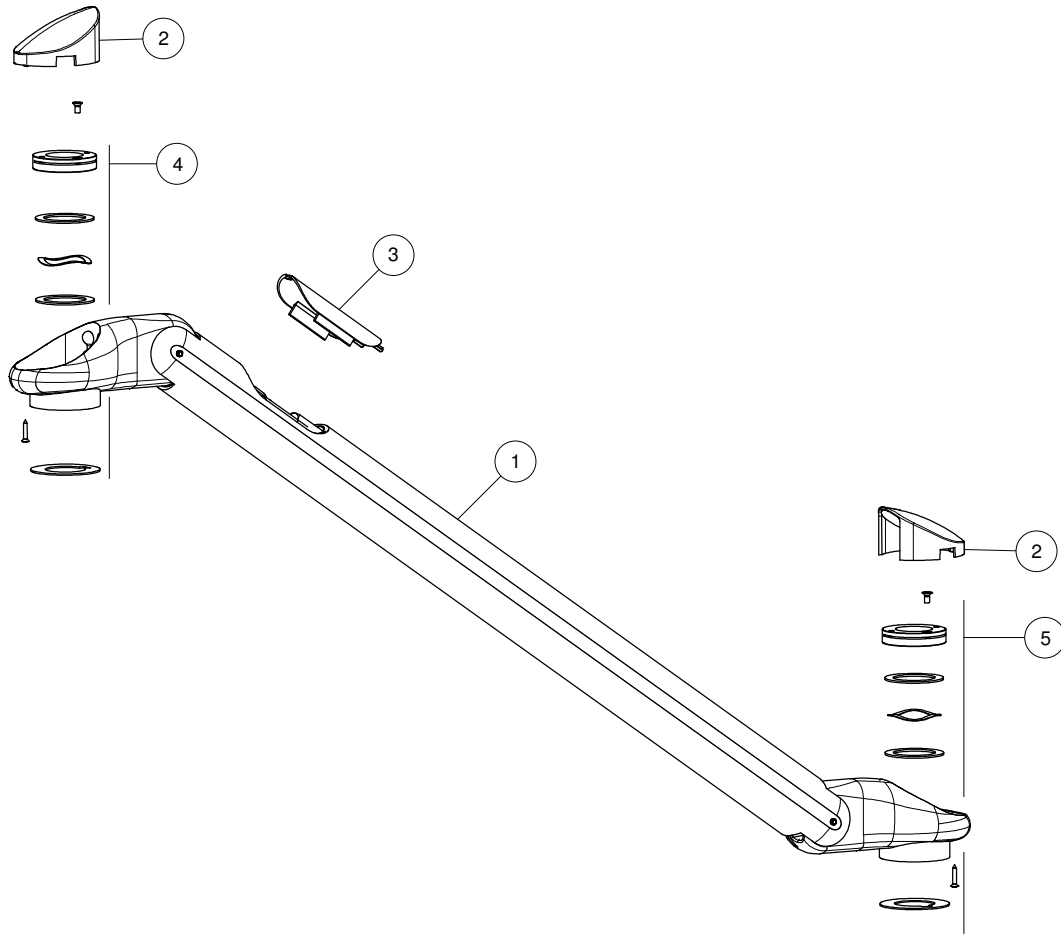


Pos	Item #	Description	pcs
1	RLL-H-01	Front protection screen	1
2	RLL-H-02	Optical cover	1
3	RLL-H-03	Reflectors set (couple)	1
4	RLL-H-04	Complete optical group	1
5	RLL-H-05	Handle holders set (right and left)	1 serie
6	RLL-H-06	Handles set (right and left)	1 serie
7	RLL-H-07	Junction yoke cover set (right and left)	1 serie
8	RLL-H-08	Buzzer	1
9	RLL-H-09	Complete switch assembly	1
10	RLL-H-10	Switch lever set	1
11	RLL-H-11	Switch holders (lamp with sensor)	1
12	RLL-H-12	Lable with TPC logo	1
13	RLL-H-13	Complete junction joke	1

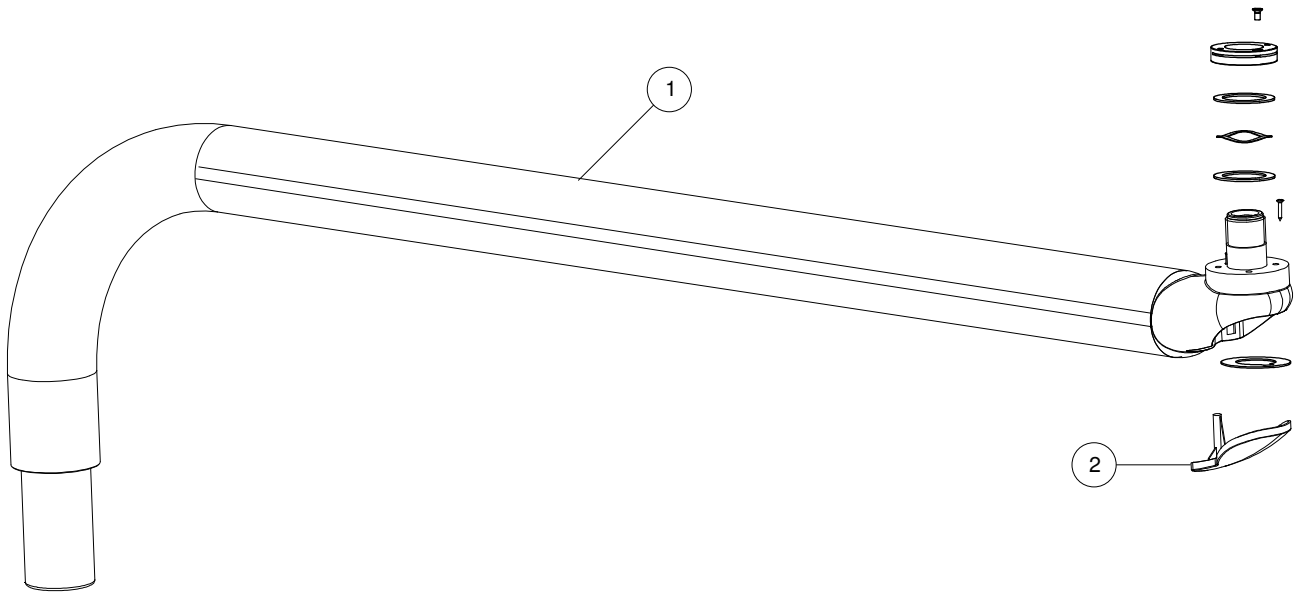
↘
continue on page 2



Pos	Code	Description	pcs
14	RLL-H-14	Pcb std function	1
15	RLL-H-15	Main Proximity Sensor Board	1
16	RLL-H-16	Proximity sensor	1
17	RLL-H-17	Pcb cover (lamp without sensor)	1
17s	RLL-H-17s	Pcb cover (lamp with sensor)	1
18	RLL-H-18	Ring nuts set (head)	1 set
	RLL-H-19	Complete junction joke (third axis version)	



Pos	Code	Description	pcs
1	RLL-CA-55-U	Central arm 55cm (unit version)	1
1	RLL-CA-85-U	Central arm 85cm (unit version)	1
1	RLL-CA-55-C	Central arm 55cm (ceiling version)	1
1	RLL-CA-85-C	Central arm 85cm (ceiling version)	1
2	RLL-CA-02	Arm cover set	1 serie
3	RLL-CA-03	Central arm cover	3
4	RLL-CA-04	Ring nuts set (head)	1 serie
5	RLL-CA-05	Ring nuts set (rear arm)	1 serie



Pos	Code	Description	pcs
1	RLL-RA-75U	Rear arm L=75cm (Unit Version)	1
1	RLL-RA-75C	Rear arm L=75cm (Ceiling version)	1
1	RLL-RA-90U	Rear arm L=90cm (Unit Version)	1
1	RLL-RA-90C	Rear arm L=75cm (Ceiling version)	1
2	RLL-RA-02	Complete arm cover set (joint + central arm cover)	1 serie
	RLL-PS	Power Supply	1 serie